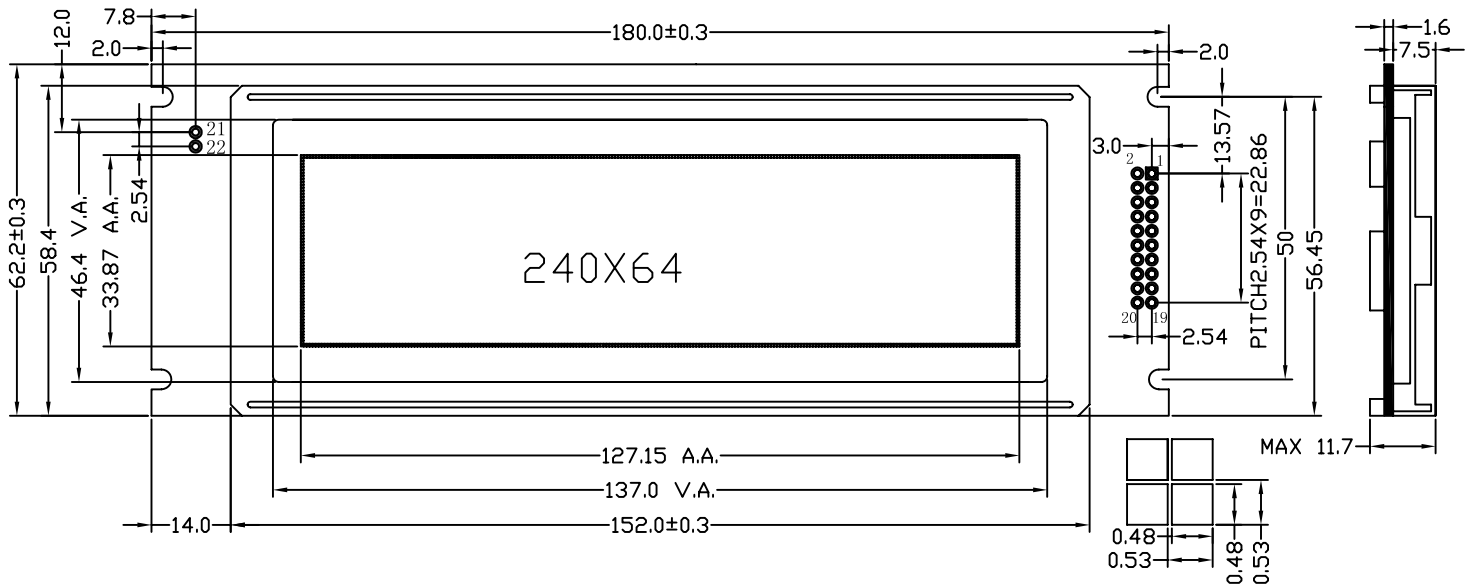


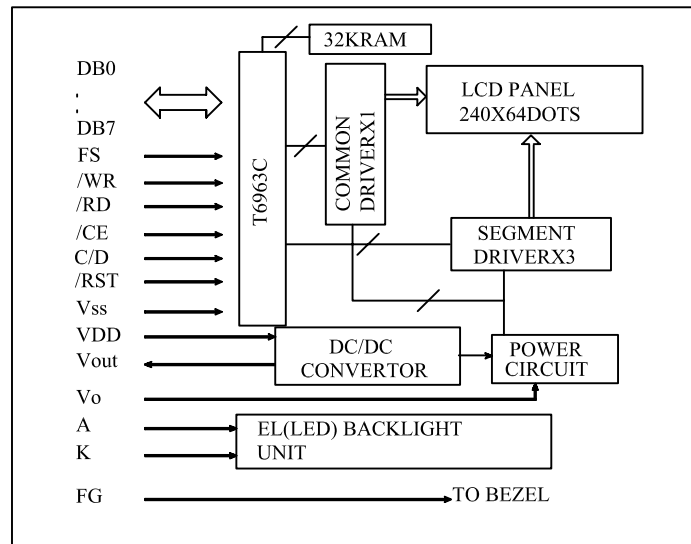
YXD-G24064EV1

240 X 64 DOTS STN
1/64DUTY,1/9 BIAS

EXTERNAL DIMENSIONS



BLOCK DIAGRAM



PIN CONFIGURATION

1	2	3	4	5	6	7	8	9	10	11	12	13	14	15	16	17	18	19	20	21	22
FG	VSS	VDD	V0	/WR	/RD	/CE	C/D	NC	/RST	DB0	DB1	DB2	DB3	DB4	DB5	DB6	DB7	FS	VOUT	A	K
NC	0V	5.0V	-6.5V	L	L	L	H/L	NC	L	TRI-STATE I/O								NC	-15.0V	5.0V	0V

MECHANICAL DATA		
ITEM	SPECIFICATION	UNIT
Module Size (W×H×D)	180.0 x 62.2 x 11.7	mm
Viewing Area (W× H)	137.0 x 46.4	mm
Number of Dots	240 x 64	dots
Character Size (W×H)	0.48 x 0.48	mm
Character Pitch (W×H)	0.53 x 0.53	mm

ABSOLUTE MAXIMUM RATINGS				
ITEM	SYMBOL	MIN	MAX	UNIT
Supply Voltage Logic	Vdd-Vss	-0.3	7.0	V
Supply Voltage Driver	Vdd-V0	-0.3	30	V
Input Voltage	Vi	-0.3	Vdd+0.3	V
Operating Temperature	Ta	0	50	° C
Storage Temperature	Tstg	-10	60	° C